

PROKIT EP 110 **Safety System**

Assembly Instructions for Standard Configuration



Contents

Introduction		
	Overview, Main Components	1
	Standard Configuration	2
	Intended Use	2
	Safety Instructions	3
	General	3
Standard Configuration		
A1	Logistics	
	Storage and transportation	4
	Maintenance and cleaning	5
A2	Mounting on the slab	
	Slab Foot PDF	6
	Post PP	6
	Mounting the side mesh barrier	7
	Mounting on the corners	8
	Increasing the height of the edge protection	9
A3	Mounting on the front end	
	Slab, Wall	10
	Landing, flights of stairs	11
	Assembly options	12
	Increasing the height of the edge protection	13
A4	System accessories	
	Uni-Clamp PUC	14
Components		
	Components	16

Key



Safety Instructions



Note



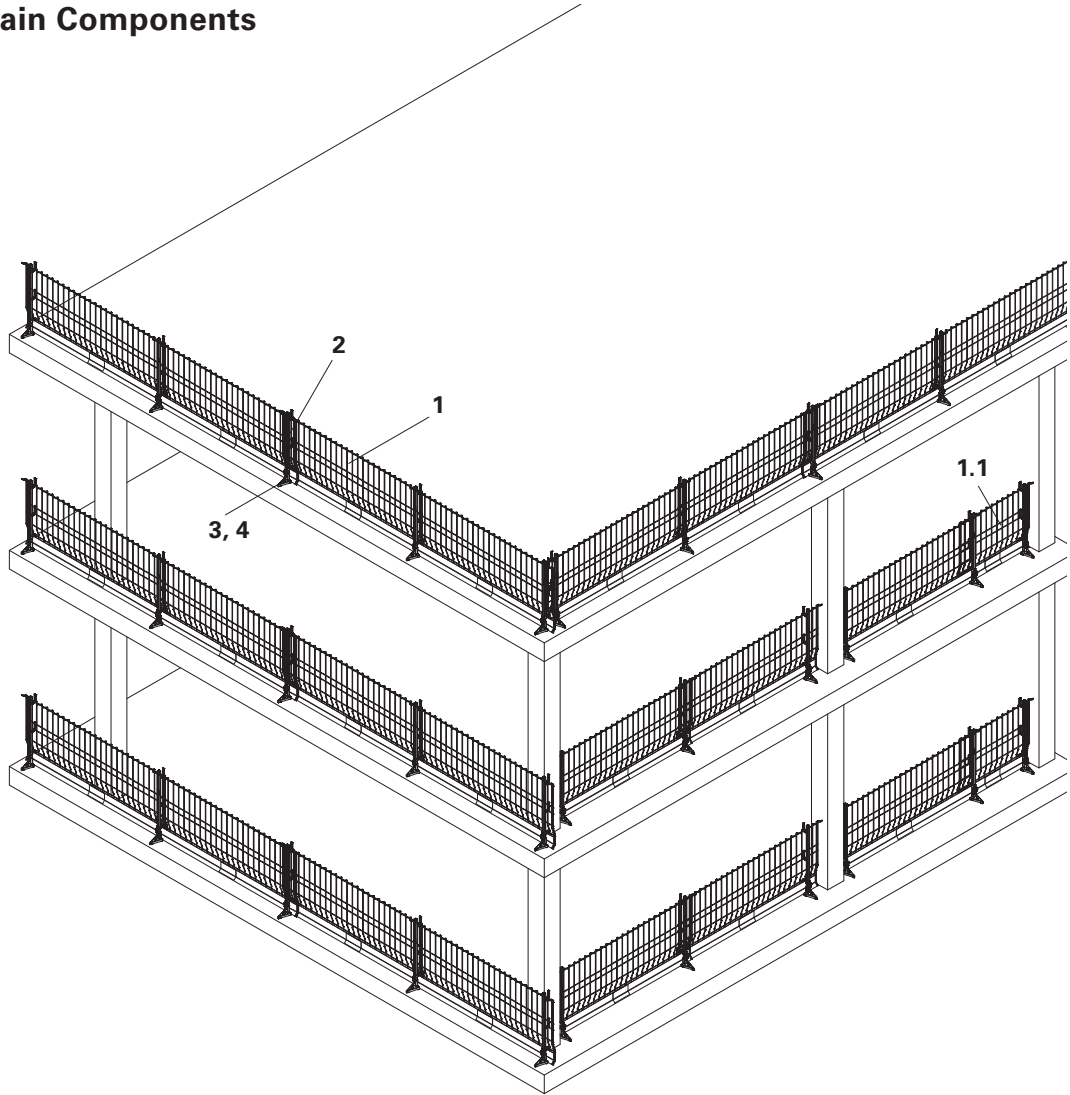
Visual Check



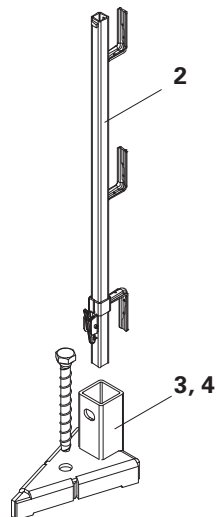
Tip

Introduction

Overview, Main Components



- 1 Side Mesh Barrier PMB 260
- 1.1 Side Mesh Barrier PMB 130
- 2 Post PP
- 3 Slab Foot PDF
- 4 Anchor Bolt PERI 14 x 150



Introduction

Standard Configuration

General

PROKIT EP 110 provides temporary edge protection for slabs, walls and flights of stairs. PROKIT EP 110 offers maximum safety on open building edges for work to be carried out after concreting as well as work activities by other tradesmen. With only two different lengths of side mesh barrier, posts and assembly feet, flexible applications are possible even for complicated structural geometries. For stair areas, handrail boards are inserted in the posts to provide reliable side protection.

System Dimensions

Side Mesh Barrier PMB:
 Length: 260 and 130 cm
 Height: 110 cm
 Post PP:
 Height 112 cm

Technical Data

- The static verification allows application according to EN 13374, Class A
- Slab thickness
 Assembly from above: 24 cm
 Assembly at the front end: 30 cm

Intended Use

1. PERI products have been designed as technical work equipment for exclusive use in the industrial and commercial sectors by suitably trained personnel.
2. These assembly instructions serve as the basis for the project-related risk assessment and the instructions for the provision and use of the system by the contractor (user). However, they do not replace these.
3. Only PERI original components may be used. The use of other products and spare parts represents a misapplication with associated safety risks.

4. The components are to be inspected before each use to ensure that they are in perfect condition and function correctly.
5. Changes to PERI components are not permitted and represent a misapplication with associated safety risks.
6. Safety instructions and permissible loads must be observed at all times.
7. Components provided by the contractor must conform with the characteristics required in these assembly instructions as well as all valid construction guidelines and standards.

- In particular, the following apply if nothing else is specified:
- timber components: Strength Class C24 for Solid Wood EN 338.
 - scaffold tubes: galvanised steel tubing with minimum dimensions Ø 48.3 x 3.2 mm according to EN 12811-1:2003 4.2.1.2.
 - scaffold tube couplings according to EN 74.
8. Deviations from the standard configuration may only be carried out after a separate risk assessment has been completed by the contractor (user). On this basis, appropriate measures for the working safety and stability are to be implemented.

Introduction

Safety Instructions

General

1. Deviations from the standard configuration and/or intended use present a potential safety risk.
2. All country-specific laws, standards and other safety regulations are to be taken into account whenever our products are used.
3. During unfavourable weather conditions, suitable precautions and measures are to be taken in order to ensure both working safety and stability.
4. The contractor (user) must ensure the stability throughout all phases of construction. He must ensure and verify that all loads which occur can be safely transferred.
5. The contractor (user) has to provide safe working areas for site personnel which are to be reached through the provision of safe access ways. Areas of risk must be cordoned off and clearly marked. Hatches and openings on accessible working areas must be kept closed during working operations.
6. For better comprehensibility, detailed drawings are partly incomplete. The safety installations which have possibly not been featured in these detailed drawings must nevertheless be available.

Storage and Transportation

1. Do not drop the components.
2. Store and transport components ensuring that no unintentional change in their position is possible. Detach lifting gear from the lowered units only if these are in a stable position and no unintentional change is possible.
3. When moving the components, make sure they are lifted and set down so that any unintentional tilting over, falling apart, sliding or rolling away are avoided.
4. Use only suitable load-carrying equipment to move the components as well as the designated load-bearing points.
5. During the lifting and moving procedure, ensure all loose parts are removed or secured.
6. During the moving procedure, always use a guide rope.
7. Move components on clean, flat and sufficiently load-bearing surfaces only.

System-specific

1. Install anchoring and safety barriers before dismantling the working scaffold positioned below.
2. Anchoring is to take place only if the anchorage has sufficient concrete strength.
3. Safety barriers are to be dismantled only if the facade is closed or the site management has given the go-ahead.

General

Additional PERI product information

- Static verification according to EN 13374, Class A
- EP 110 brochure
- Instructions for Use for pallets and stacking devices

The structures shown in these assembly instructions are examples and feature only one component size. They are accordingly valid for all component sizes contained in the standard configuration.

A1 Logistics

Storage



Please adhere to the PERI Instructions for Use for Pallets and Stacking Devices as well as Pallet Lifting Trolley!

Manually-created transport units must be correctly stacked and secured!

Pallets and stacked items are to be protected against the effects of the weather, e.g. secured against lifting by means of tension belts!

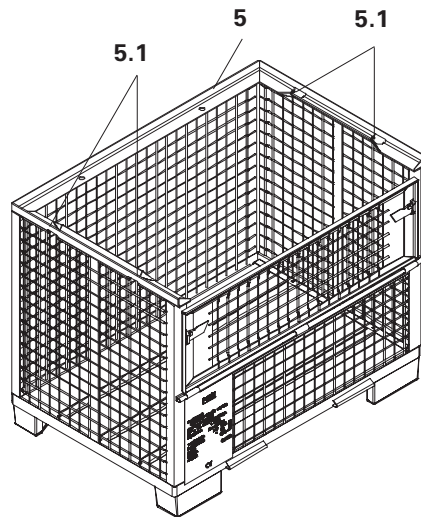


Fig. A1.01

Crate Pallet 80 x 120

Permissible lifting capacity: 1.5 t
Length of 4-sling lifting gear: min. 3.0 m

Stacking height

3 crate pallets (5) on top of each other.
(Fig. A1.01)

Stack



Material damage!
Ensure that the stack of Side Mesh Barriers PMB is of the same size when transported!

For example, Pallet HS 90 x 120
Side Mesh Barrier PMB 260: max. 35
Side Mesh Barrier PMB 130: max. 50
(Fig. A1.02a + A1.02b)

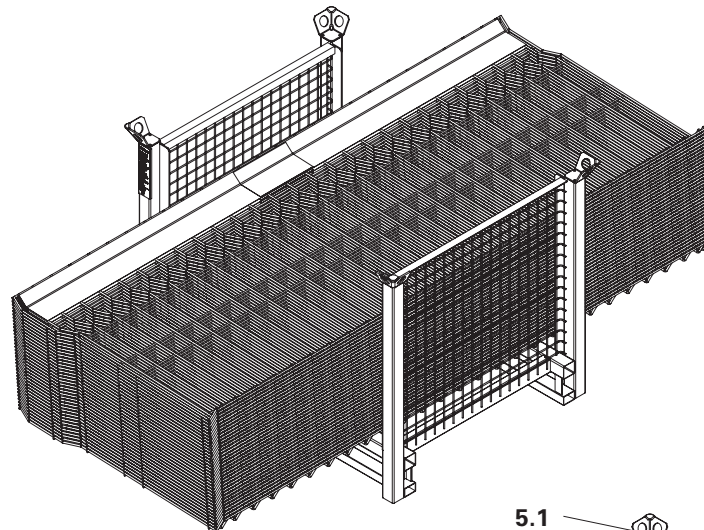


Fig. A1.02a

Transportation



Always attach the 4-sling lifting gear to the four points (5.1).

(Fig. A1.01)



When loading onto trucks, ensure that the lashing for the Side Mesh Barrier PMB is both uniform and not too tight.

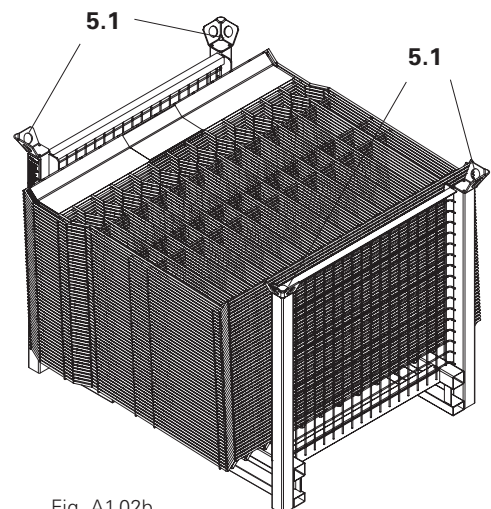


Fig. A1.02b

A1 Logistics

Maintenance and Cleaning

In order to maintain the value and operational readiness of the safety system over a long period of time, ensure that individual components are carefully handled at all times.

Maintenance tips

1. For damage-free transportation, suitable PERI pallets are available.
2. For temporary storage, support timbers are to be used.
3. Due to the powder coating, cleaning requirements are kept to a minimum.
4. Carry out functionality check of the securing hooks for the Posts PP.

A2 Mounting on the slab



Risk of injury! Risk of falling!
Assembly is to take place with site personnel positioned on a secure working and safety scaffold or with the use of personal protective equipment!

Slab Foot PDF

The Slab Foot PDF is mounted on the slab and serves to support the Post PP.

Assembly

Fix the Slab Foot PDF (3) by means of PERI Anchor Bolts 14 x 150 (4).
 (Fig. A2.01a - 01c)

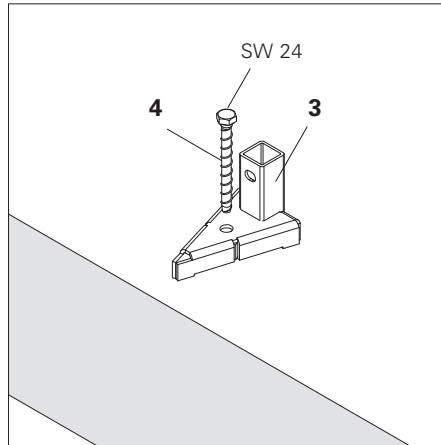


Fig. A2.01a

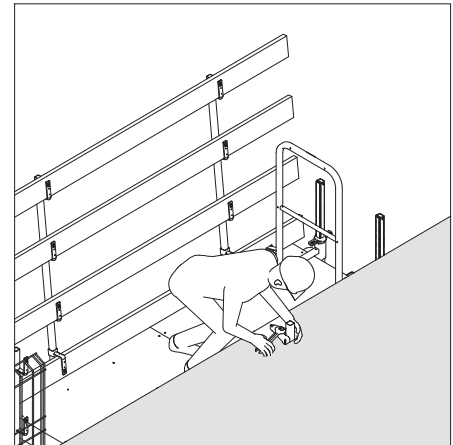


Fig. A2.01b

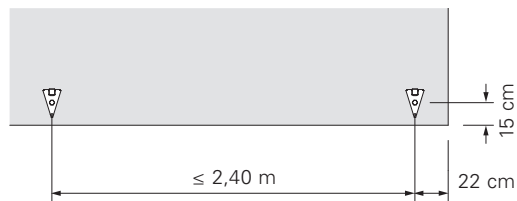


Fig. A2.01c

Post PP

The Side Mesh Barrier PMB is attached to the Post PP. When inserted, the Post PP is secured with the securing hooks.

Assembly

Insert the Post PP (2) into the Slab Foot PDF. The securing hooks (2.1) click into place and are then secured.
 (Fig. A2.02a + 02b)



Visual check of the securing hook.

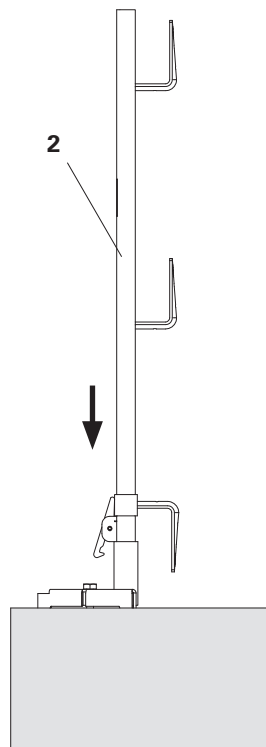


Fig. A2.02a

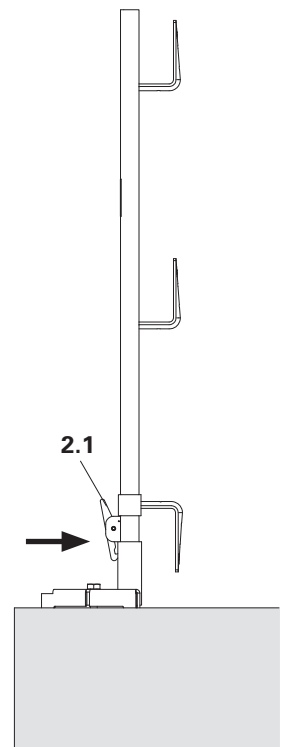


Fig. A2.02b

A2 Mounting on the slab

Side Mesh Barrier PMB

Open building edges are secured with the Side Mesh Barrier PMB. (Fig. A2.03)

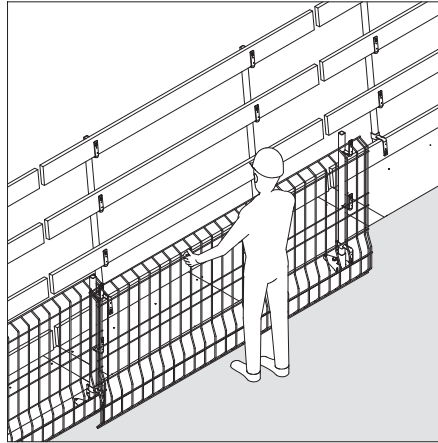


Fig. A2.03

Assembly from the building side

1. Attach the Side Mesh Barrier PMB (1) to the top retainer (2.2). The toe board (1.1) leans against it. (Fig. A2.03a)
2. Lift the lower retainer (2.3) and push the toe board up to the Post PP. (Fig. A2.03b)
3. Secure against lifting with the retainer. (Fig. A2.03c)

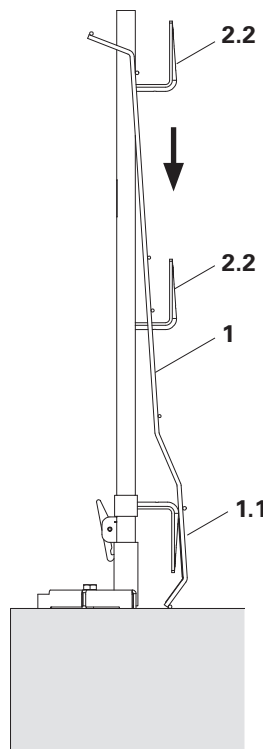


Fig. A2.03a

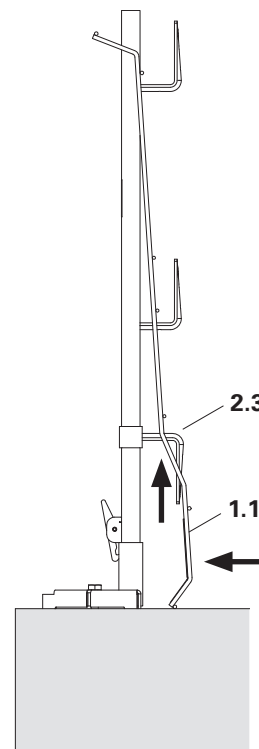


Fig. A2.03b

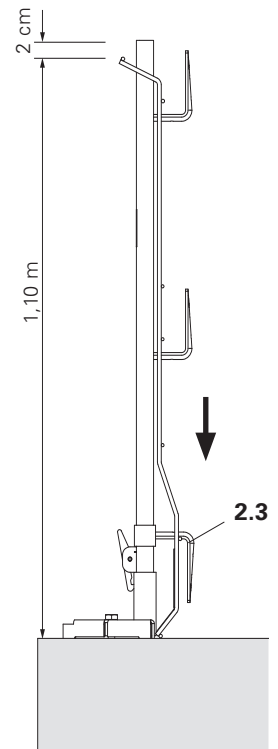


Fig. A2.03c

Two Side Mesh Barriers PMB

(Fig. A2.03d)

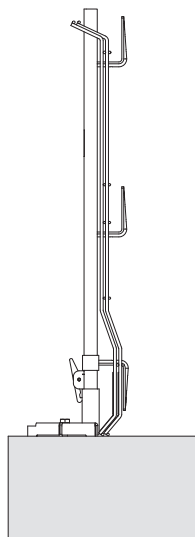


Fig. A2.03d

A2 Mounting on the slab

Mounting on the corners

(Fig. A2.04a + 04b)

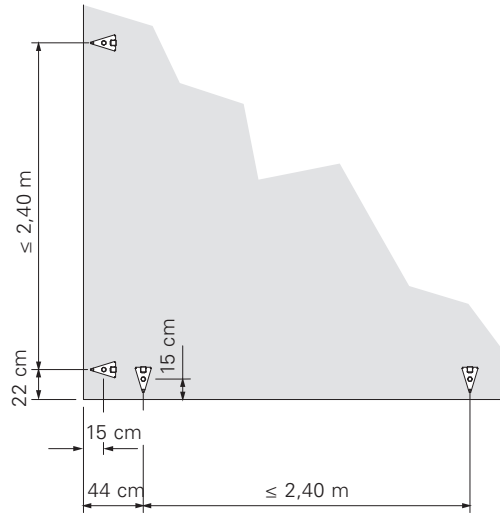


Fig. A2.04a

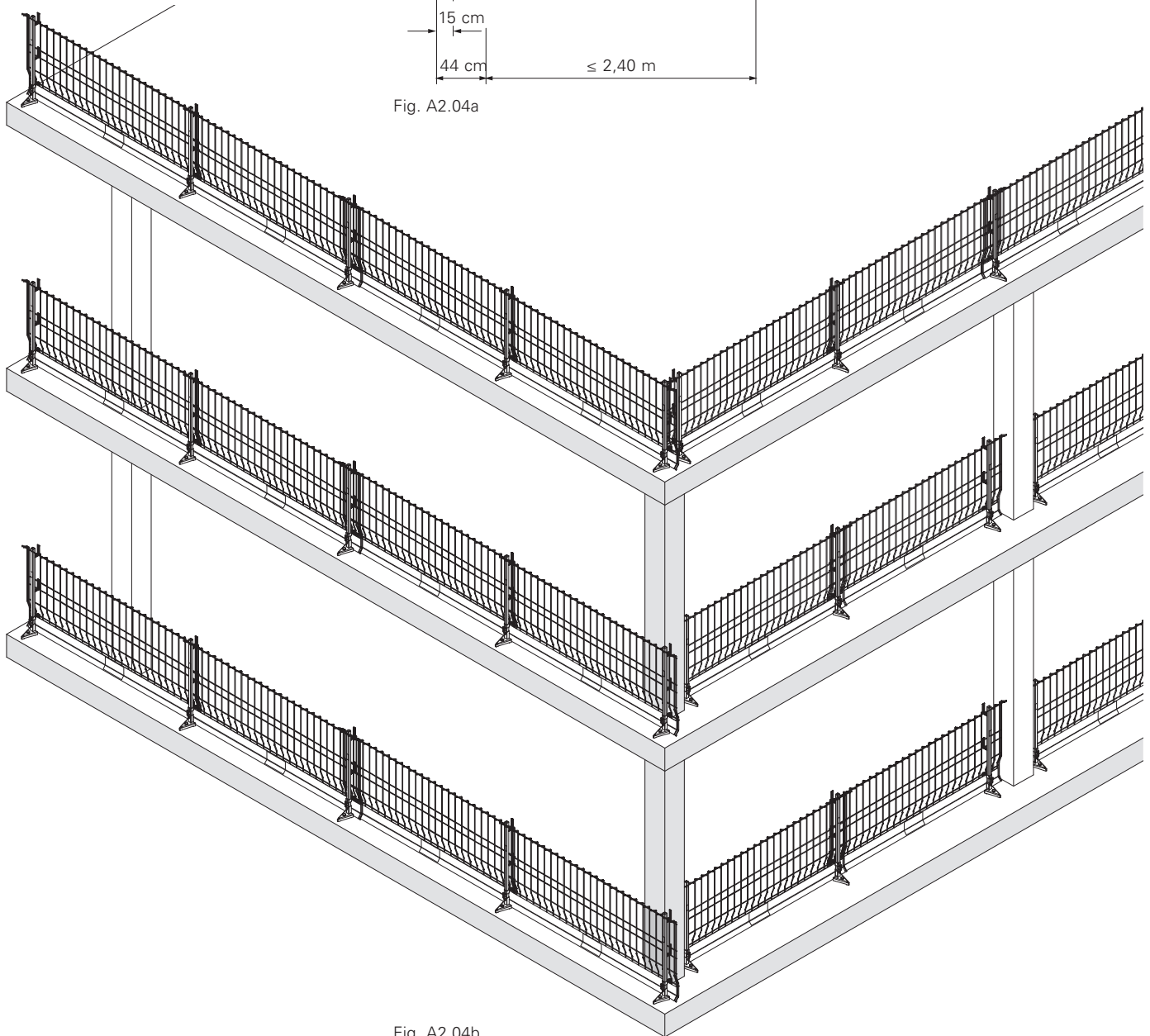


Fig. A2.04b

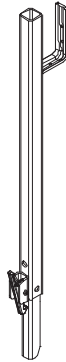
A2 Mounting on the slab

Increasing the height of the edge protection to 1.75 m

For working areas at great heights.
For protection purposes, the Post PP is extended by means of the Post Extension PPE.



The worker has to stand on the slab!
Working level = upper edge of slab!



Assembly

Insert the Post Extension PPE (6) into the Post PP (2). The securing hooks (2.1) click into place and are then secured.
(Fig. A2.05)



Visual check of the securing hook.

Assembly of the side mesh barrier

Attach the Side Mesh Barrier PMB (1) to the top retainer (6.1) of the Post Extension PPE and retainer (2.2) of the Post PP. (Fig. A2.06)
The toe board (1.1) is held in position. (Fig. A2.06a)

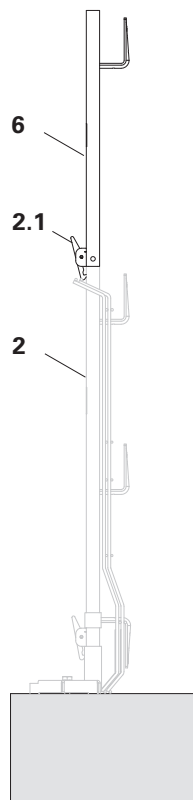


Fig. A2.05

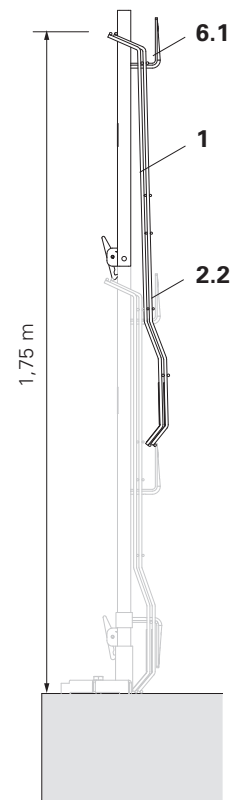


Fig. A2.06

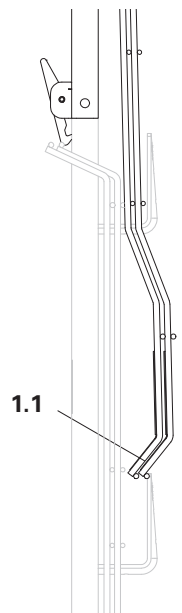


Fig. A2.06a

A3 Mounting on the front end



Risk of injury! Risk of falling!
Assembly is to take place with site personnel positioned on a secure working and safety scaffold or with the use of personal protective equipment!

Assembly

1. Fix the Side Foot PSF (5) by means of PERI Anchor Bolts 14 x 150 (4).
2. Insert the Post PP (2) into the Side Foot PSF. The securing hooks (2.1) click into place and are then secured. (Fig. A3.01)

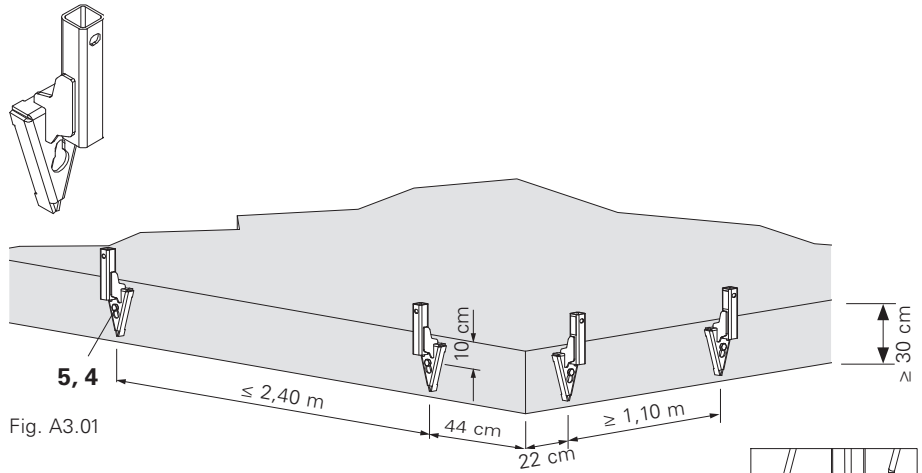


Fig. A3.01



Visual check of the securing hook.

Mounting on the slab

(Fig. A3.02)

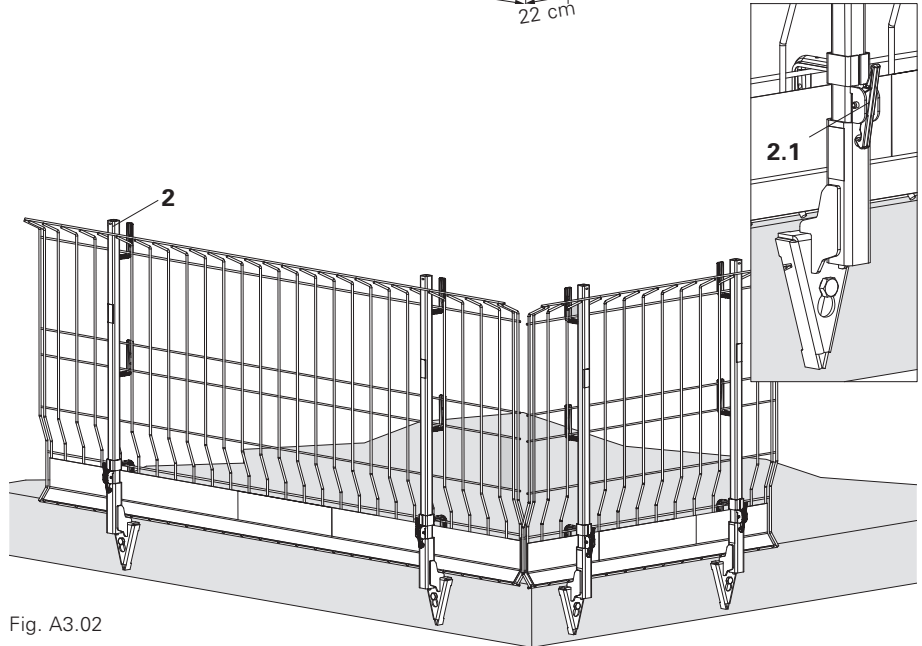


Fig. A3.02

Mounting on the wall

(Fig. A3.03)

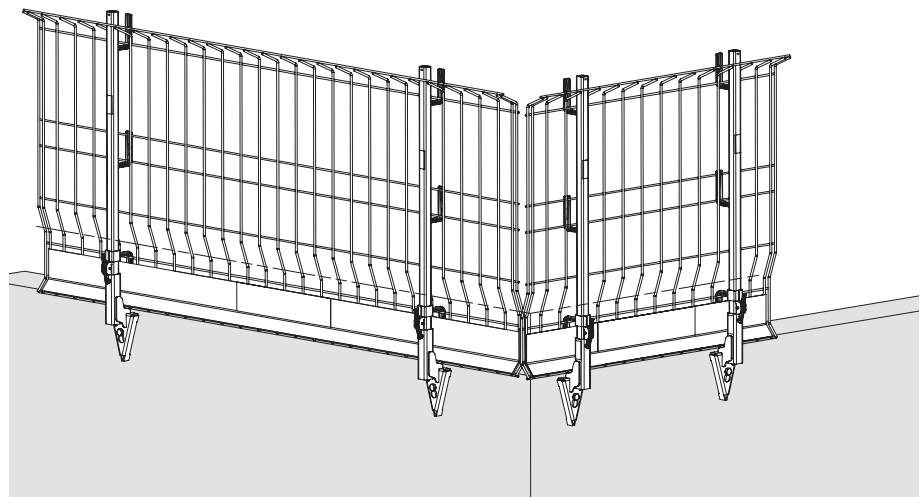


Fig. A3.03

A3 Mounting on the front end

Assembly on the landing

(Fig. A3.04)

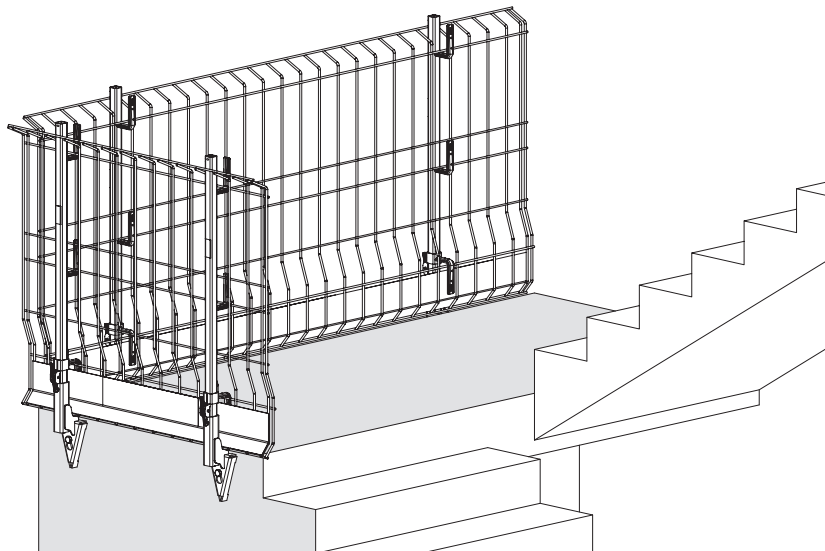


Fig. A3.04

Assembly on the flights of stairs

(Fig. A3.05)

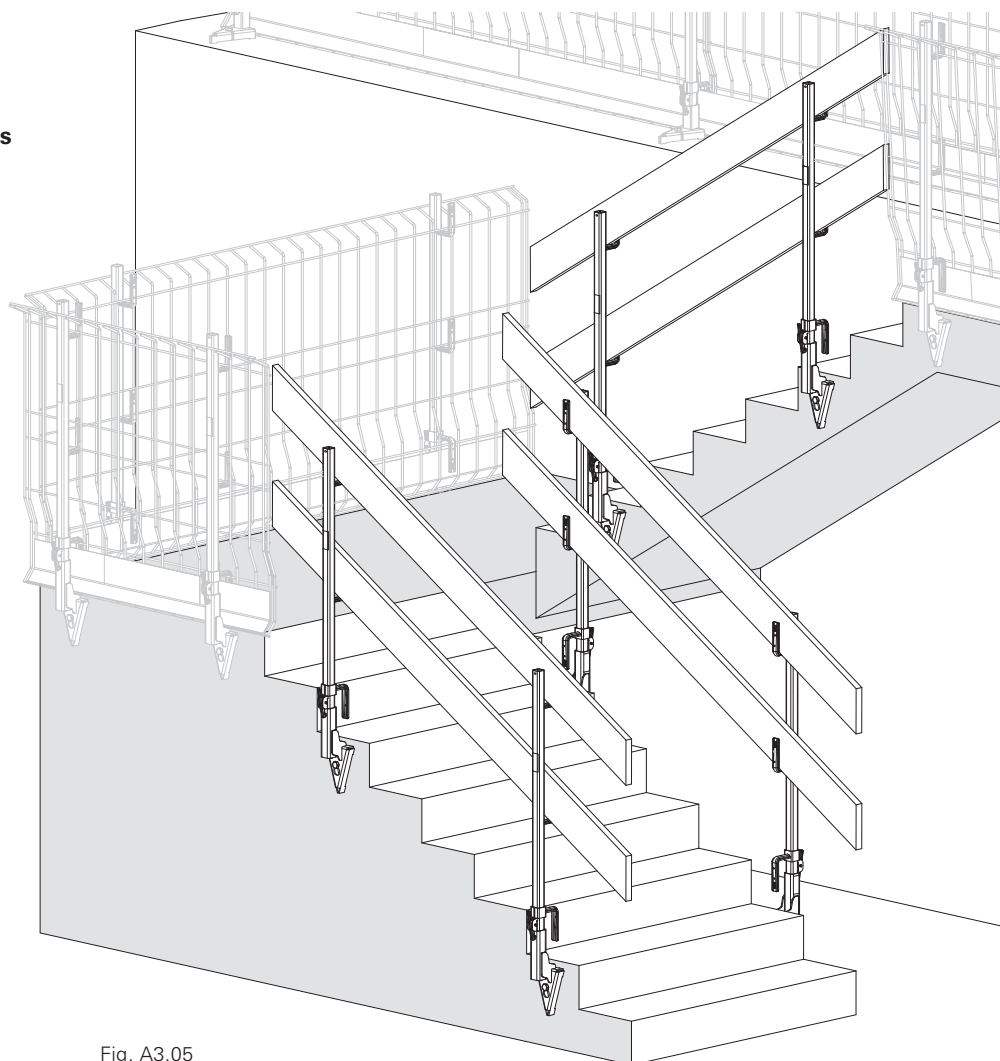


Fig. A3.05

A3 Mounting on the front end

Assembly options for the Side Mesh Barrier PMB

Open working level

Attach the Side Mesh Barrier PMB (1) and hold in position with the bottom retainer (2.2).

(Fig. A3.06 + A3.06a)

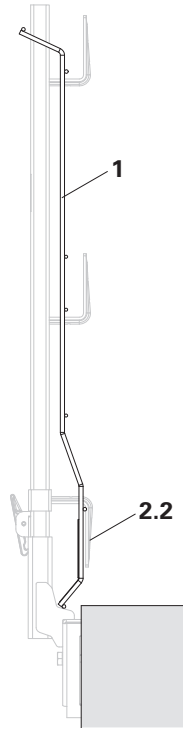


Fig. A3.06

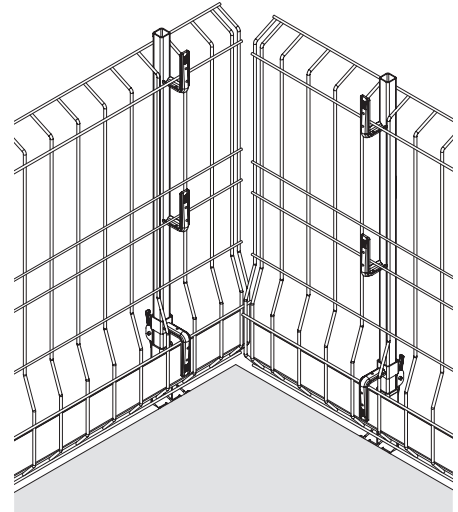


Fig. A3.06a

Closed working level

Attach the Side Mesh Barrier PMB (1) and hold in position with the bottom retainer (2.2).

(Fig. A3.07 + A3.07a)

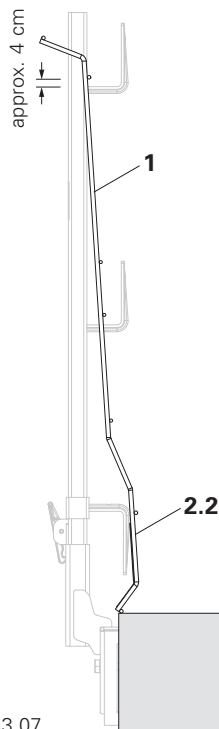


Fig. A3.07

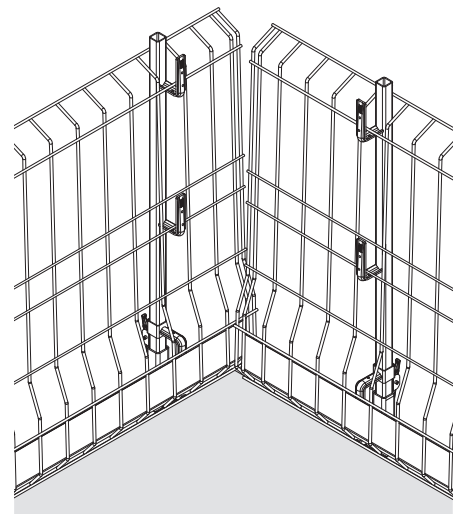


Fig. A3.07a

A3 Mounting on the front end

Increasing the height of the edge protection to 1.75 m

For working areas at great heights.
For protection purposes, the Post PP is extended by means of the Post Extension PPE.



The worker has to stand on the slab!
Working level = upper edge of slab!

Assembly

Insert the Post Extension PPE (6) into the Post PP (2). The securing hooks (2.1) click into place and are then secured.

(Fig. A3.08)



Visual check of the securing hook.

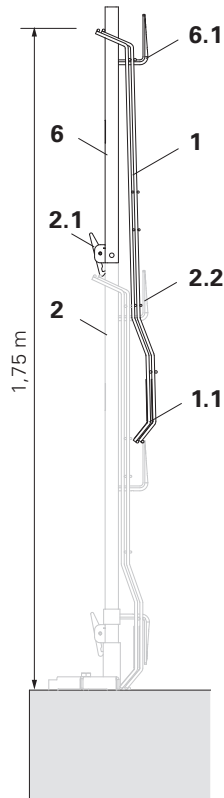


Fig. A3.08

Assembly of the side mesh barrier

Attach the Side Mesh Barrier PMB (1) to the top retainer (6.1) of the Post Extension PPE and retainer (2.2) of the Post PP. (Fig. A3.08)

The toe board (1.1) is held in position. (Fig. A3.09)

See also Fig. A2.06 + A2.07

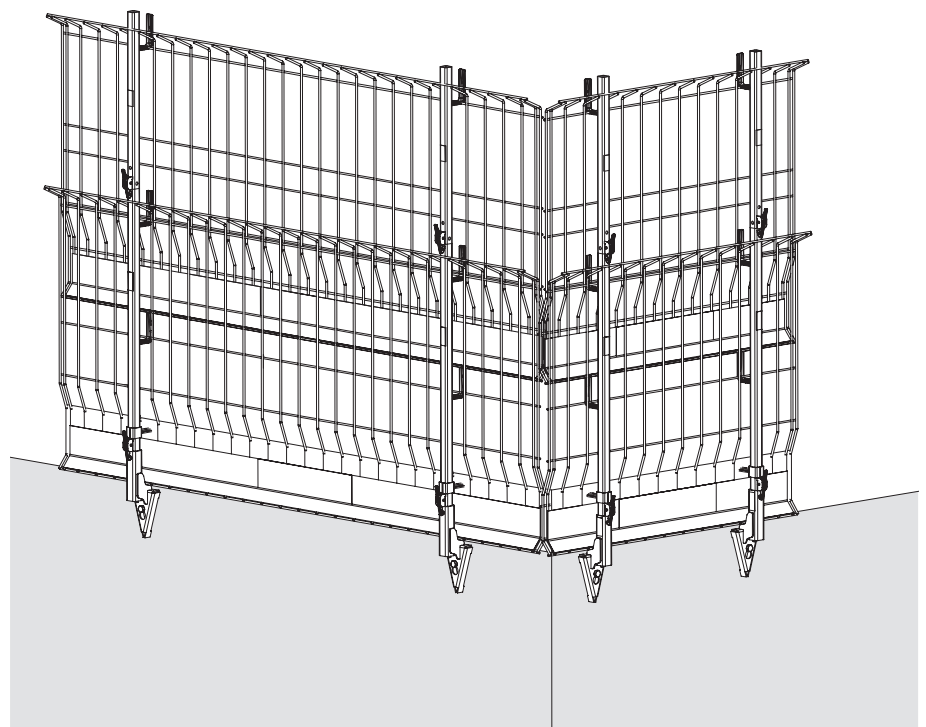


Fig. A3.09

A4 System Accessories

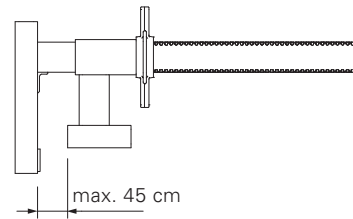
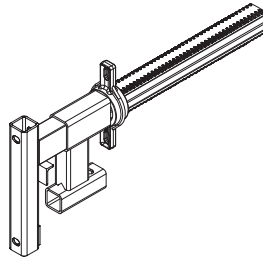


Risk of injury! Risk of falling!
Assembly is to take place with site personnel positioned on a secure working and safety scaffold or with the use of personal protective equipment!

Uni-Clamp PUC

The Uni-Clamp PUC is used on:

- slabs
- parapets
- and
- if drilling holes is not allowed on the structure
- if it is subsequently fitted



Maximum spacing with
 Side Mesh Barrier PMB 260: 2.40 m
 Side Mesh Barrier PMB 130: 1.20 m

Assembly

Push the Uni-Clamp PUC (7) over the structure and clamp in position with the quick jack nut (7.1).
 Insert Post PP (2).

Slab
 (Fig. A4.01)

Parapet
 (Fig. A4.02)

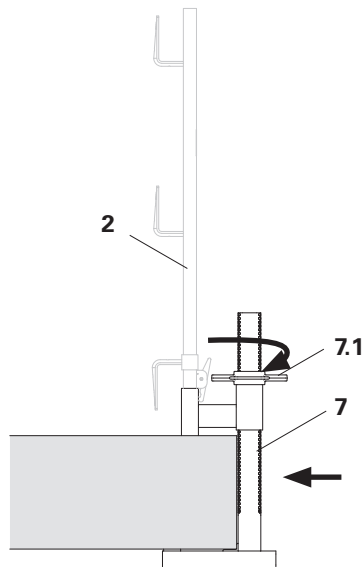


Fig. A4.01

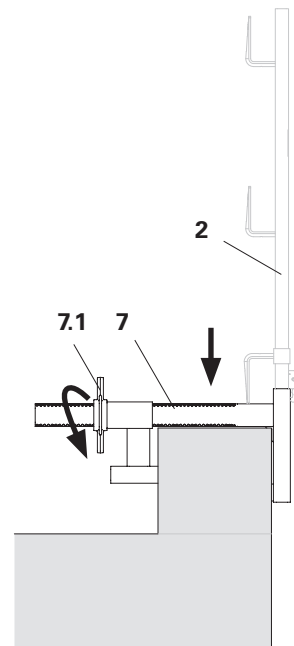
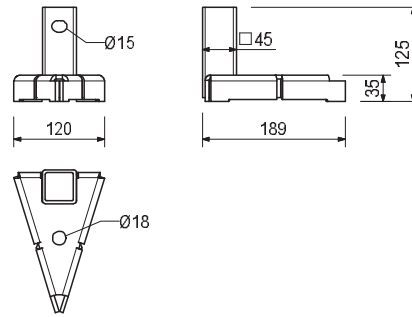
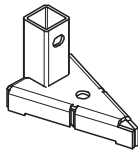


Fig. A4.02

Item no.	Weight kg
117323	1,550

Slab Foot PDF

For mounting safety barriers to slab edges.



117020	0,213
117325	4,280

Accessories

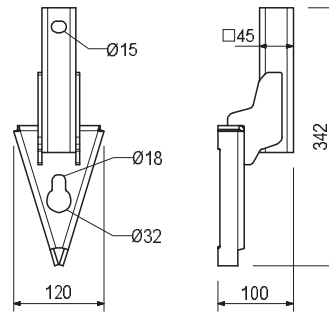
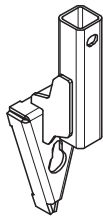
Anchor Bolt PERI 14 x 150

Post PP

117324	2,210
--------	-------

Side Foot PSF

For mounting safety barriers to walls and stairs.



117020	0,213
117325	4,280

Accessories

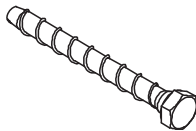
Anchor Bolt PERI 14 x 150

Post PP

117020	0,213
--------	-------

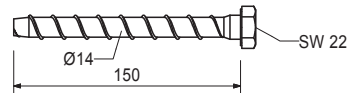
Anchor Bolt PERI 14 x 150

Re-usable. Construction Approval is available on request.



Note

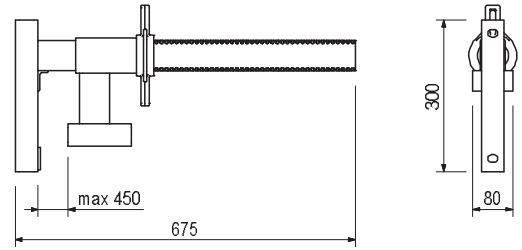
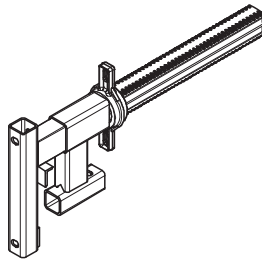
For permissible load, see data sheet.
Wrench size SW 22.



Item no.	Weight kg
118660	6,610

Uni-Clamp PUC

For mounting safety barriers to the front side of the slab or on a parapet.



117325	4,280
--------	-------

Accessories

Post PP

117325	4,280
--------	-------

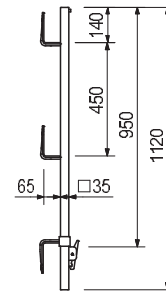
Post PP

For fixing the side mesh barrier.



Technical Data

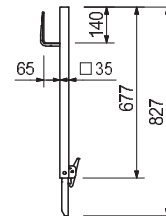
Maximum post spacing with side mesh barrier:
PMB 260 max. 2.40 m, PMB 130 max. 1.20 m.



118296	2,920
--------	-------

Post Extension PPE

For increasing the height of the side protection to 1.75 m.



117326	19,700
117327	10,500

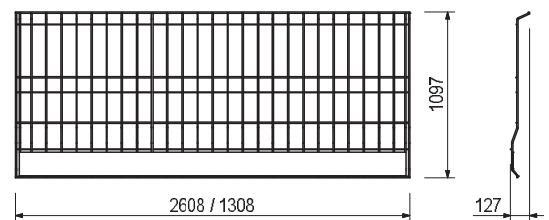
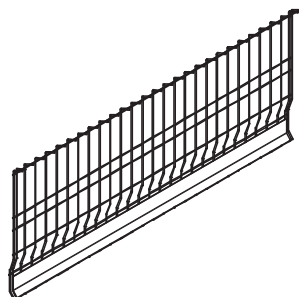
Side Mesh Barriers PMB

Side Mesh Barrier PMB 260

Side Mesh Barrier PMB 130

Technical Data

Maximum post spacing with side mesh barrier:
PMB 260 max. 2.40 m, PMB 130 max. 1.20 m.





01 PERI GmbH
 Rudolf-Diesel-Strasse
 89264 Weissenhorn
 info@peri.com
 www.peri.com



02 France
 PERI S.A.S.
 77109 Meaux Cedex
 peri.sas@peri.fr
 www.peri.fr

03 Switzerland
 PERI AG
 8472 Ohringen
 info@peri.ch
 www.peri.ch

04 Spain
 PERI S.A.
 28110 Algete - Madrid
 info@peri.es
 www.peri.es

05 Belgium/Luxembourg
 N.V. PERI S.A.
 1840 Londerzeel
 info@peri.be
 www.peri.be

06 Netherlands
 PERI B.V.
 5480 AH-Schijndel
 info@peri.nl
 www.peri.nl

07 USA
 PERI Formwork Systems, Inc.
 Elkridge, MD 21075
 info@peri-usa.com
 www.peri-usa.com

08 Indonesia
 PT Beton Perkasa Wijaksana
 Jakarta 10210
 bpw@betonperkasa.com
 www.peri.com

09 Italy
 PERI S.p.A.
 20060 Basiano
 info@peri.it
 www.peri.it

10 Japan
 PERI Japan K.K.
 Tokyo 103-0015
 info@perijapan.jp
 www.perijapan.jp

11 United Kingdom/Ireland
 PERI Ltd.
 Rugby, CV23 0AN
 info@peri.ltd.uk
 www.peri.ltd.uk

12 Turkey
 PERI Kalıp ve İskeleleri
 Esenyurt / İstanbul 34510
 info@peri.com.tr
 www.peri.com.tr

13 Hungary
 PERI Kft.
 1181 Budapest
 info@peri.hu
 www.peri.hu

14 Malaysia
 PERI Formwork Malaysia
 Sdn. Bhd.
 43300 Seri Kembangan,
 Selangor Darul Ehsan
 info@perimalaysia.com
 www.perimalaysia.com

15 Singapore
 PERI ASIA Pte. Ltd
 Singapore 387355
 pha@periasia.com
 www.periasia.com

16 Austria
 PERI Ges.mbh
 3134 Nußdorf ob der Traisen
 office@peri.at
 www.peri.at

17 Czech Republic
 PERI spol. s r.o.
 252 42 Jesenice u Prahy
 info@peri.cz
 www.peri.cz

18 Denmark
 PERI Danmark A/S
 2670 Greve
 peri@peri.dk
 www.peri.dk

19 Finland
 PERI Suomi Ltd. Oy
 05460 Hyvinkää
 info@perisuomi.fi
 www.perisuomi.fi

20 Norway
 PERI Norge AS
 3036 Drammen
 info@peri.no
 www.peri.no

21 Poland
 PERI Polska Sp. z o.o.
 05-860 Płochocin
 info@peri.pl.pl
 www.peri.pl.pl

22 Sweden
 PERIform Sverige AB
 30013 Halmstad
 peri@periform.se
 www.periform.se

23 Korea
 PERI (Korea) Ltd.
 Seoul 135-080
 info@perikorea.com
 www.perikorea.com

24 Portugal
 PERIcofragens Lda
 2790-326 Queijas
 info@peri.pt
 www.peri.pt

25 Argentina
 PERI S.A.
 B1625GPA Escobar – Bs. As.
 info@peri.com.ar
 www.peri.com.ar

26 Brazil
 PERI Formas e
 Escoramentos Ltda.
 Vargem Grande Paulista
 São Paulo
 info@peribrasil.com.br
 www.peribrasil.com.br

27 Chile
 PERI Chile Ltda.
 Colina, Santiago de Chile
 peri.chile@peri.cl
 www.peri.cl

28 Romania
 PERI România SRL
 077015 Balotești
 info@peri.ro
 www.peri.ro

29 Slovenia
 PERI Slovenien
 2000 Maribor
 peri.slo@triera.net
 www.peri.com

30 Slovakia
 PERI spol. s r.o.
 903 01 Senec
 info@peri.sk
 www.peri.sk

31 Australia
 PERI Australia Pty. Ltd.
 Glendenning NSW 2761
 info@periaus.com.au
 www.periaus.com.au

32 Estonia
 PERI AS
 76406 Saku vald
 Harjumaa
 peri@peri.ee
 www.peri.ee

33 Greece
 PERI Hellas Ltd.
 194 00 Koropi
 info@perihellas.gr
 www.perihellas.gr

34 Latvia
 PERI SIA
 2118 Salaspils novads,
 Rigas rajons
 info@peri-latvija.lv
 www.peri-latvija.lv

35 United Arab Emirates
 PERI (L.L.C.)
 Dubai
 perillc@perime.com
 www.perime.com



- 36 Canada**
PERI Formwork Systems, Inc.
Bolton, ON – L7E 1K1
info@peri.ca
www.peri.ca
- 37 Lebanon**
Lebanon Representative Office
Jdeideh
lebanon@peri.de
www.peri.de
- 38 Lithuania**
PERI UAB
02300 Vilnius
info@peri.lt
www.peri.lt
- 39 Morocco**
PERI S.A.
Tanger
peri25@menara.ma
www.peri.com
- 40 Israel**
PERI Formwork
Engineering Ltd
Petach Tikva, 49002
info@peri.co.il
www.peri.co.il
- 41 Bulgaria**
PERI Bulgaria EOOD
1839 Sofia
peri.bulgaria@peri.bg
www.peri.bg
- 42 Iceland**
Armar ehf.
220 Hafnarfjörður
www.armor.is
- 43 Kazakhstan**
TOO PERI Kazakhstan
050014 Almaty
peri@peri.kz
www.peri.kz
- 44 Russian Federation**
OOO PERI
142407, Noginsk District
moscow@peri.ru
www.peri.ru
- 45 South Africa**
Wiehahn Formwork and
Scaffolding (Pty) Ltd.
7600 Stellenbosch
info@wiehahn.co.za
www.wiehahn.co.za
- 46 Ukraine**
TOW PERI Ukraina
07400 Brovary
peri@peri.ua
www.peri.ua
- 47 Egypt**
Egypt Branch Office
11361 Heliopolis / Cairo
info@peri.com.eg
www.peri.com.eg
- 48 Serbia**
PERI Oplate d.o.o.
11272 Dobanovci
office@peri.rs
www.peri.rs
- 49 Mexico**
PERI Cimbras y Andamios,
S.A. de C.V.
Estado de México,
info@peri.com.mx
www.peri.com.mx
- 50 Azerbaijan**
PERI Kalıp ve İskeleleri
Baku
peribaku@peri.com.tr
www.peri.com.tr
- 51 Turkmenistan**
PERI Kalıp ve İskeleleri
Aşgabat
ahmet.kadioglu@peri.com.tr
www.peri.com.tr
- 52 Belorussia**
PERI Belarus
220030 Minsk
info@peri.by
www.peri.com
- 53 Croatia**
PERI oplate i skele d.o.o.
10 250 Donji Stupnik/
Zagreb
info@peri.com.hr
www.peri.com.hr
- 54 Iran**
PERI GmbH
Iran Branch Office
Tehran
info@peri.ir
www.peri.ir
- 55 India**
PERI (India) Pvt Ltd
Mumbai – 400064
info@peri.in
www.peri.in
- 56 Jordan**
PERI GmbH - Jordan
11947 Amman
jordan@peri.com
www.peri.com
- 57 Kuwait**
PERI Kuwait
13011 Kuwait
kuwait@peri.com
www.peri.com
- 58 Saudi Arabia**
PERI Engineering
Division of Jamjoom
Consult Saudi Arabia
21463 Jeddah
info@peri.com.sa
www.peri.com.sa
- 59 Qatar**
PERI Qatar LLC
P.O.Box: 31295 - Doha
info@periqatar.com
www.periqatar.com
- 60 Algeria**
Société PERI S.A.S.
Kouba - Alger
peri.alger@peri.fr
www.peri.fr
- 61 Albania**
PERI Sh.p.k.
Tirane
erti.hasanaj@peri.com.tr
www.peri.com.tr
- 62 Peru**
PERI Peruana SAC
Villa El Salvador, Lima
contacto@peri.com.pe
www.peri.com.pe
- 63 Panama**
PERI Panama Inc.
0832-00155 Panama City
info@peri.com.pa
www.peri.com.pa
- 64 Angola**
PERIcofragens, Lda.
Luanda
renato.portugal@peri.pt
www.peri.pt
- 65 Nigeria**
Heights Access Nigeria Ltd.
Victoria Island, Lagos
info@heightsaccessng.com
www.heightsaccessng.com
- 66 Oman**
PERI (L.L.C.)
Muscat
perimct@perime.com
www.perime.com

PERI Product Range



Wall Formwork

Panel Formwork
Girder Formwork
Circular Formwork
Facade Formwork
Brace Frame



Climbing Systems

Climbing Scaffold
Self-Climbing System
Climbing Protection Panel
Platform Systems



Column Formwork

Square
Rectangular
Circular



Scaffold, Stairways, Working Platforms

Facade Scaffold
Working Platform
Weather Protection Roof
Stairway Access



Slab Formwork

Panel Formwork
Beam Grid Formwork
Girder Formwork
Slab Table
Beam Formwork



Bridge and Tunnel Formwork

Cantilevered Parapet Carriage
Cantilevered Parapet Platform
Engineer's Construction Kit



Shoring Systems

Steel Slab Props
Aluminium Slab Props
Tower Systems
Heavy-Duty Props



Services

Formwork Assembly
Cleaning / Repairs
Formwork Planning
Software
Statics
Special Constructions

Additional Systems

Safety Systems
Plywood
Formwork Girders
Sto pend Systems
Pallets
Transportation Containers



PERI GmbH Formwork Scaffolding Engineering

P.O. Box 1264
89259 Weissenhorn
Germany
Tel. +49 (0)7309.950-0
Fax +49 (0)7309.951-0
info@peri.com
www.peri.com